

AVC-VH52VLT

VARIFOCAL LENS IR VANDAL DOME CAMERA

ANALOG
CAMERA



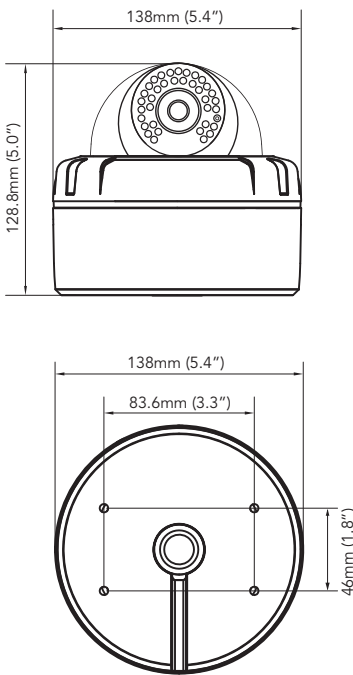
FUNCTIONS

- 1/3" 960H Interline Transfer Type Color CCD Sensor
- High Resolution 700TV Line
- 2.8 ~ 12mm DC Auto Iris Lens (ICR-Optional)
- 36 IR LEDs (Up to 95ft.)
- 0.0001Lux @F1.2 (Sens-up x1024)
- 3DNR (Digital Noise Reduction)
- Built-in OSD Controller, 2ND BNC Connector & Heater
- DC 12V (±10%) / AC 24V (±10%)



DIMENSIONS

Unit : mm (inch)



SPECIFICATIONS

DESCRIPTION	NTSC	PAL
Image Sensor	1/3" 960H IT CCD	
Image Resolution	976 x 494	976 x 582
Scanning System	2:1 Interlace	
Video Output	Composite (1.0Vpp / 75 Ohm)	
S/N Ratio	52dB (AGC Off)	
Min. Illumination	0.0001Lux @ F1.2 (Sens-up x1024)	
Lens	2.8 ~ 12mm DC Auto Iris Lens (ICR - Optional)	
Electronic Shutter	1/60 ~ 120,000 sec	1/50 ~ 120,000 sec
Backlight Compensation (BLC)	BLC / HSBL / Off	
White Balance	ATW / Push / User1 / User2 / Anti CR / Manual / Push Lock	
Day & Night	Color / Auto / B/W / EXT1 / EXT2	
Privacy Masking	On / Off (8 Zones)	
DNR	Off / Low / Middle / High	
Smart IR (Anti-SAT)	On / Off	
Sens-up	Off / x1 ~ x512	
Motion Detection	On / Off (4 Points)	
Defect Correction	On / Off	
IR LED	36pcs (95ft.*)	
Input Voltage	DC 12V (±10%) / AC 24V (±10%)	
Heater Operation Specification	Internal operating temperature : Off : 20° / On : -20°	
Power Consumption	Heater Off DC IR Off : 140mA (±10%) / IR On : 360mA (Max.) Heater Off AC IR Off : 220mA (±10%) / IR On : 400mA (Max.) Heater On DC IR Off : 260mA (±10%) / IR On : 480mA (Max.) Heater On AC IR Off : 350mA (±10%) / IR On : 500mA (Max.)	
Operating Environment	-22°F ~ 122°F (-30°C ~ 50°C) / Max. 90% RH	
Storage Environment	-4°F ~ 140°F (-20°C ~ 60°C) / Max. 90% RH	

*IR distance range varies depending on the environment